



**FREEDOM**  
TRANSFER PATIENT LIFT

# Freedom Transfer Patient Lift

The Freedom Transfer Patient Lift is a patient transfer solution that offers patients with limited mobility more freedom of movement. It's ideal for use in home care, assisted living facilities, nursing homes, hospitals, or just about anywhere a patient needs to move.

This lightweight transfer lift provides a safer, convenient, and easier way to transport patients around their home or care facility. Unlike traditional patient lifts, such as the Hoyer Lift, it doesn't require a sling and enables patient transfer without lifting—ensuring a quicker, simpler, and safer solution for the patient as well as the caregiver.



# About Freedom Transfer Patient Lift



- This device is designed to help caregivers easily transport their patients with limited mobility, both in home care and in assisted living facilities. No matter the application—from a bed, chair, toilet, or just about any area—the Freedom is the all-in-one transfer solution.
- The Freedom Transfer Patient Lift is a more comfortable, dignified, and convenient mobility solution than traditional patient lifts. Due to their complex and bulky structure, Hoyer Lifts and many other types of patient lifts are often difficult and time consuming for caregivers to set up and use. Additionally, the experience of being wrapped in the sling of a Hoyer Lift can be demeaning, uncomfortable, and even scary for patients.
- The Freedom Transfer Patient Lift provides a stress-free experience that's easier on the patients body by eliminating the risk of falls from a sling, as well as a safer option for caretakers by reducing the risk of Musculoskeletal Disorder (MSD) due in large part to overexertion of manual patient handling versus traditional patient lifts.

## The Freedom is Ideal For:



Transporting patients receiving home care from their bed to other places around their home, such as the living room couch, the dining room table, or the bathroom.



Transporting patients in assisted living facilities or hospitals to the bathroom or to other areas of the building, such as rooms where they are receiving medical care.



Toileting; lift can be wheeled over the toilet. Allowing patient's easier access to the bathroom or facilities while remaining seated in the lift.



Designed to easily fold up, fitting into most car trunks and is meant to be transported for wherever you need to be

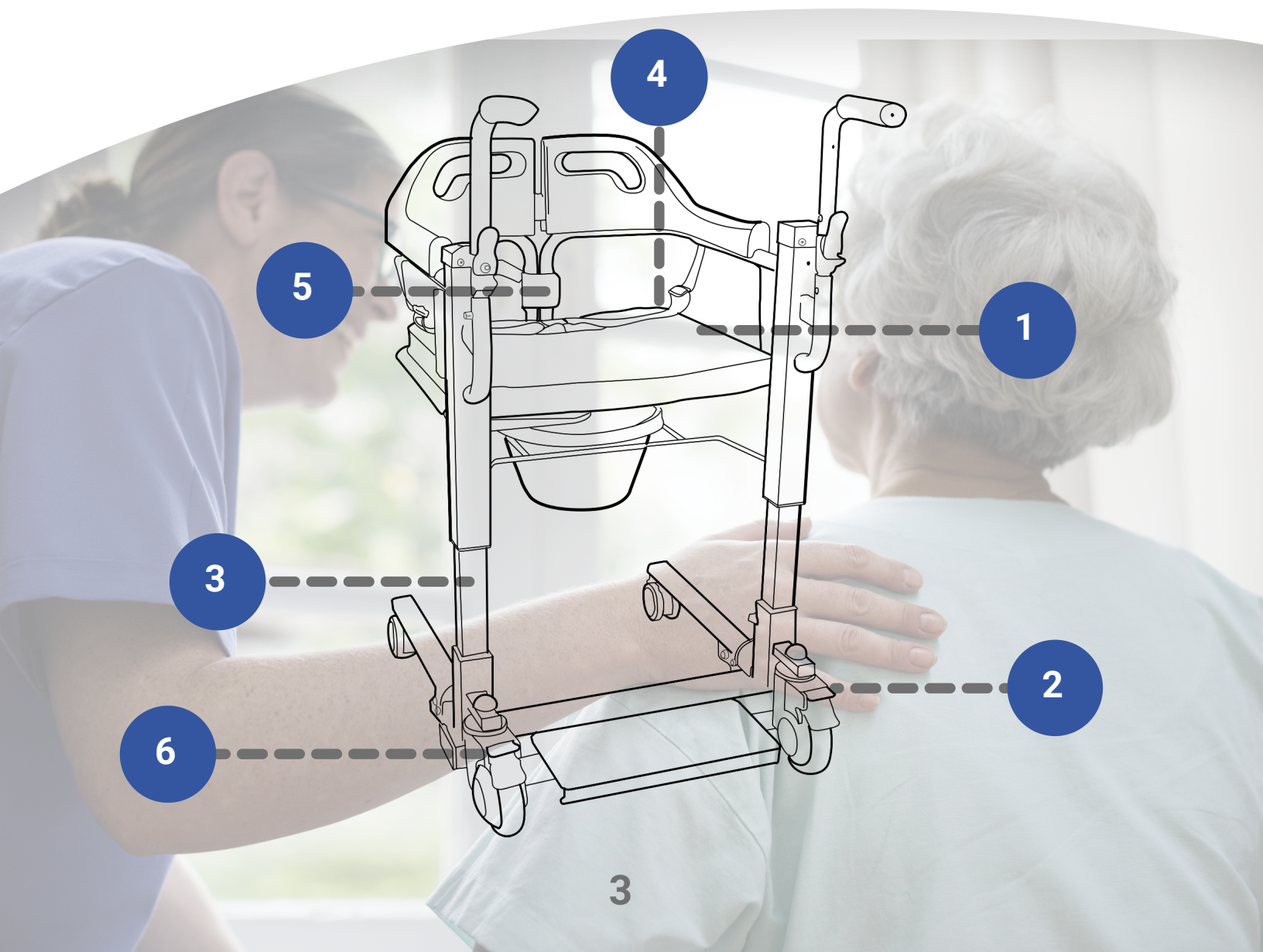


# How it Works

Follow these 6 steps to secure a patient in the chair:

- 1 After making sure the patient is in the correct seating position, open up the seat.
- 2 Push the chair towards the patient, position their feet on the footrests, and lock the wheels.
- 3 Using the remote, adjust the height of the device to match the patient's seating height.
- 4 Close the seat around the patient.
- 5 Secure the double locking assembly in the back, and adjust their seatbelt.
- 6 When you're ready to move the patient, release the wheel locks.

The Freedom Transfer Patient Lift is also equipped with arm grips that the caregiver can use while transporting the patient, or, alternatively, the patient can hold them for stability while being transported.





## Why Use The Freedom Transfer Patient Lift?



### For the Caregiver/Health Aide

The Freedom Transfer Patient Lift is easy to use. It's much less cumbersome and labor intensive to use than other types of patient lifts such as Hoyer lifts, as well as safer for both the patient and caregiver. It doesn't require a caregiver to manually lift the patient up like some hydraulic lifts, reducing strain on the caregiver, and the risks of developing Musculoskeletal Disorder (MSD). The lift also allows the patient to stay sitting, reducing the risk of the patient falling and injuring themselves.

The Freedom Transfer Patient Lift is versatile and convenient, and caregivers can use it knowing that their patients are more comfortable. Caregivers can use this device to easily transport their patients wherever they need or want to go, and can even use it to help assist them with their toileting.



### For the Family of the Patient

The Freedom Transfer Patient Lift makes it easier for individuals with mobility issues to receive care at home, rather than in a care facility. As it's easily disassembled, the device doesn't take up nearly as much room as many other types of patient lifts, so it's more suitable for home use. The chair also feels more dignified for the patient than traditional patient lifts.

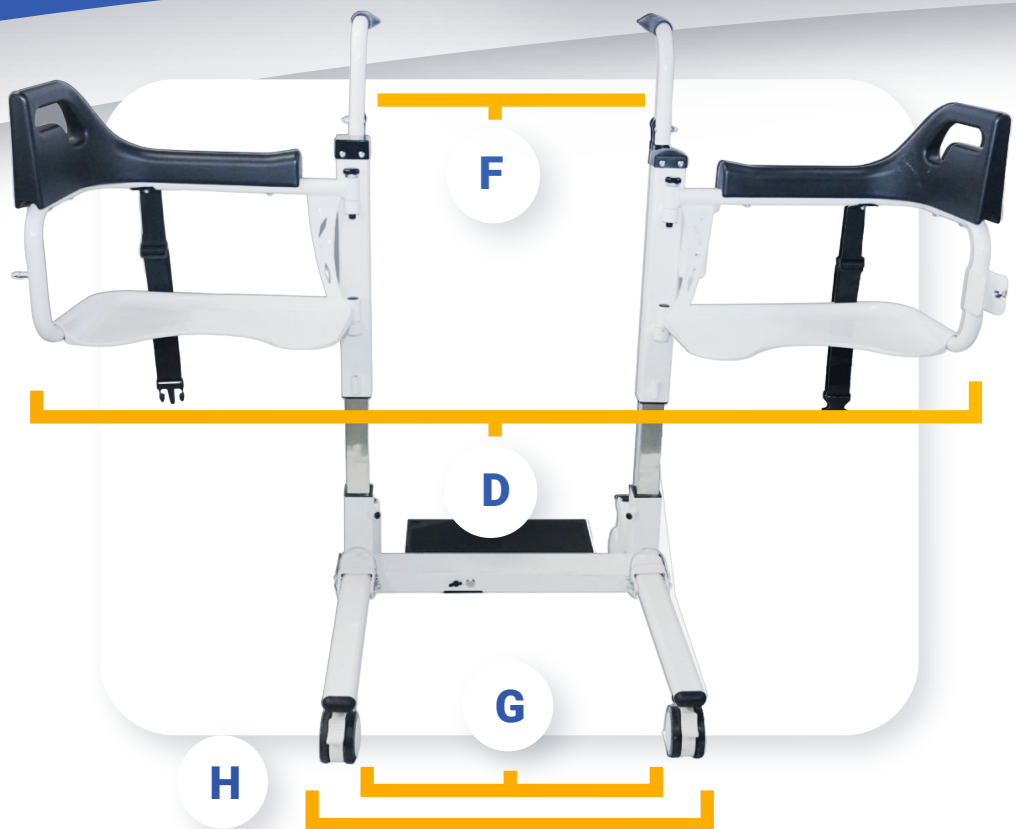
The structure and use of the Freedom Transfer Patient Lift can help provide peace of mind for families. Families can choose the Freedom Transfer Patient Lift for their loved one knowing it's less physically restrictive than most other patient lifts. The constraints involved in many other patient lifts can be a source of anxiety or stress for patients, and this device can help to reduce those sources of discomfort by preserving a patient's upper body mobility.

Additionally, it's much easier for someone who isn't a trained home caregiver to use this patient lift than other lifts, as there are no complex hydraulic or electronic systems involved. This means that in some cases, family members may be able to assist their loved one themselves, reducing the need for in-home care from an aide.

# Product Specifications

## DIMENSIONS

- A** Overall height: **adjustable between 34.5" - 42.5"**
- B** Seat height: **adjustable between 15.5" - 23.5"**
- C** Weight: **60 lbs**
- D** Width when backrest is fully unfolded: **55.9"**
- E** Seat width: **19.5"**
- F** Width between armrests: **19.3"**
- G** Distance between rear wheels: **18.4"**
- H** Wheel base width: **22.3"**



- ✓ Can accommodate individuals with a weight of up to 250 lbs
- ✓ Carbon-steel plated structure with rust-proof coating
- ✓ Quiet polyurethane wheels

# Improve Your Loved Ones' Mobility and Safety

The Freedom Transfer Patient Lift is an easy-to-use, lightweight device that offers a way for caregivers to transport patients around their homes or care facilities. This chair is a comfortable and safe option for transporting patients with limited mobility. Choose a mobility solution for your loved one that offers comfort and convenience.



**ORDER YOUR  
FREEDOM TRANSFER  
PATIENT LIFT TODAY**

**ORDER NOW**

Interested in learning more about our products? Contact us at:

 [www.mobilepatientlift.com](http://www.mobilepatientlift.com)  [www.facebook.com/mobilepatientlift](https://www.facebook.com/mobilepatientlift)  [www.linkedin.com/company/mobilepatientlift](https://www.linkedin.com/company/mobilepatientlift)  [www.instagram.com/mobilepatientlift](https://www.instagram.com/mobilepatientlift)



212-366-5483

1661 N. Dixie Highway, Bay 12  
Pompano Beach, FL 33060

